



## KR33 Series

### UPS 10-200kVA

- » IGBT Rectifier
- » High Efficiency  $\geq 95\%$
- » Output PF 1.0
- » Fault Trace Management



Finance



Telecommunication



Data Center



Government



Energy



Medical



Transportation



Electricity

# KR33 Series UPS

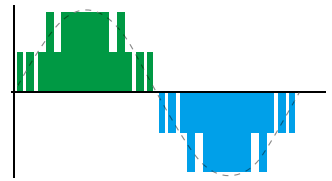


## High Reliability

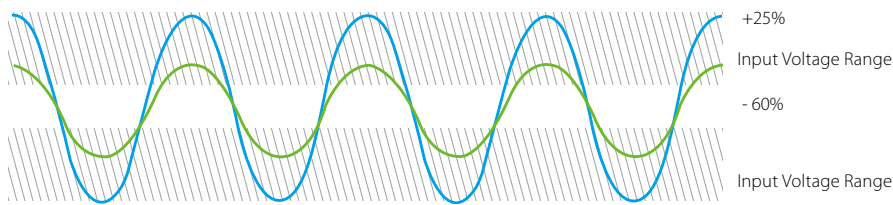
- Super wide input voltage range -60%~+25%
- Robust overload ability
- Dual system control card prevent single failure point
- IGBT rectifier benefit with low THDi (<3%) and high power factor
- Bus synchronization control function provides reliable high power for the dual bus application
- 3-level IGBT inverter ensures excellent performance
- Intelligent fan control according the load capacity reduces the noise and prolongs fan service life



Two level output voltage waveform



Three level output voltage waveform

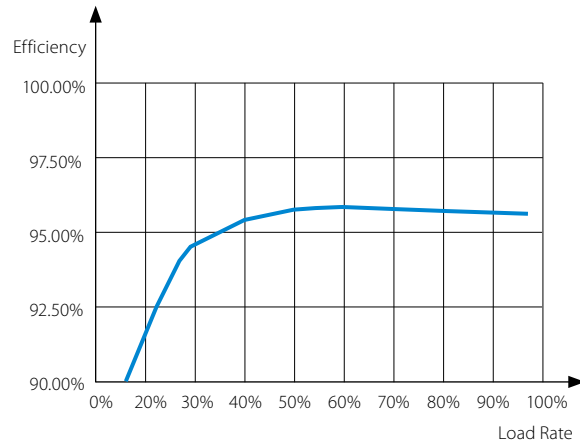


wide input voltage range



## Green Power

- High efficiency in online mode ( $\geq 95\%$ ) reduces heat dissipation and limits power consumption costs
- Efficiency > 99% in ECO mode gives significant cost reduction



### For example:

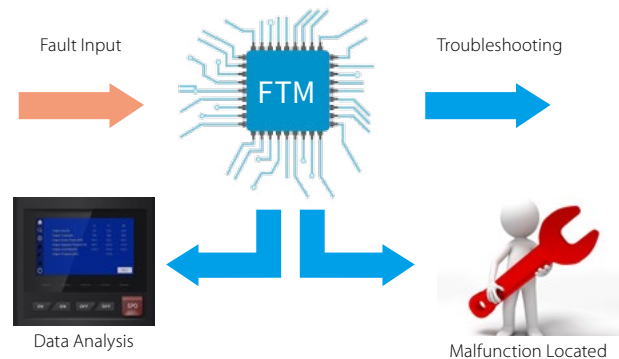
- Kehua 200kVA UPS efficiency ranks 1% higher than industry average(94%)
- Saving UPS electricity 10512 kWh per year
- The equivalent of nearly 1681.92 USD saved per year (Calculation bases on 0.16USD/kWh).



Save **\$1681.92** per Year!

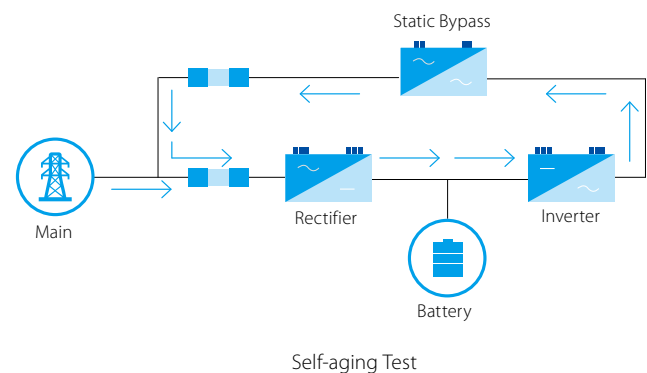
## Intelligent Management

- Fault Trace Management (FTM) for convenient failure analysis (waveform record)
- Intelligent battery management system prolongs battery service life
- HMI enables more setting and status showing
- Auto dedusting function
- Key components pre-alarm function



## Flexible Design

- Common battery bank sharing in parallel system
- Flexible battery configuration improves service ability
- High power density design with compact size, 120kW only cover 0.3825 m<sup>2</sup>
- Frequency converter function (60Hz to 50Hz or 50Hz to 60Hz)
- Self-aging test function without load enables onsite commission
- Easy onsite parallel modification
- Built-in battery quantity: 32-72 pcs configurable



## More Options

- Customized power distribution cabinet
- Flexible Network Management: SNMP
- Expanded dry contact
- Intelligent Battery Monitoring System
- Bypass voltage regulator
- Dual system control card
- Auto Switch: STS, ATS
- Energy feedback absorber
- N+X in parallel
- Input and output isolation transformer
- SPD: C Grade
- Output Synchronization Common Bus
- Battery Charge Temperature Compensation



# KR33 Series UPS

## Technical Specifications

MODEL	KR3310S/ KR3310	KR3320S/ KR3320	KR3330S/ KR3330	KR3340S/ KR3340	KR3350	KR3360	KR3380	KR33100	KR33120	KR33160	KR33200		
<b>INPUT</b>													
Voltage (Vac)	380/400/415 (138~485 L-L)												
Frequency (Hz)	40~70												
Bypass Voltage (Vac)	380/400/415: -20%~+15%												
Power Factor	≥0.99												
Phase	3φ4W+PE												
<b>OUTPUT</b>													
Capacity (kVA)	10	20	30	40	50	60	80	100	120	160	200		
Power Factor	1												
Voltage (Vac)	L-N: 220/230/240±1% L-L: 380/400/415±1%												
Frequency (Hz)	50/60±0.1% (Battery mode)												
Phase	3φ4W+PE												
Unbalance 3-phase voltage stabilization with full load	≤2%												
Waveform	Pure sine wave, THD<1% at linear												
Transfer Time (ms)	0												
Efficiency	≥95%												
Overload	105%~ 115% for 60 min ,116%~ 130% for 10 min, 131%~ 150% for 1 min, above 150% for 200 ms												
<b>BATTERY</b>													
Battery Voltage (Vdc)	±192 (±180/±204/±216/±228/±240 Settable for long backup type)												
BATT Type	32x7AH 12V (34/36 optional)/ External	36x9AH 12V (32/34 optional)/ External	64x9AH 12V(68/72 optional)/ External	72x9AH 12V/ External	External								
Charging Current (A)	1-10 settable				1-20 settable			1-30 settable		1-40 settable	1-50 settable		
<b>OTHER</b>													
Communication Interface	RS485 MODBUS,dry contact (SNMP Adapter optional)												
Display	Touch screen+LED												
Alarm	AC input abnormal, low battery, overload, failure												
Protection	Output short-circuit, overload, over-temperature, battery low voltage, output over/low voltage												
Noise (dB)	<65												
Working Temperature (°C)	0 ~ 40												
Relative Humidity	0 ~ 95%, No condensation												
Dimension (WxDxH)(mm)	320x840x1030 / 320x840x867		320x840x1400 / 320x840x867		450x840x967		450x840x1400			600x900x1600			
Weight (kg)	240/120	250/120	350/120	370/120	160		210	242	242	320	350		

• Specification is subject to change without prior notice.