



MR33 Series Modular UPS

(125-600kVA)

- » Data center
- » Telecom system
- » Computer room
- » Financial system
- » Precision instrument
- » Intelligent equipment

Advanced Technology:

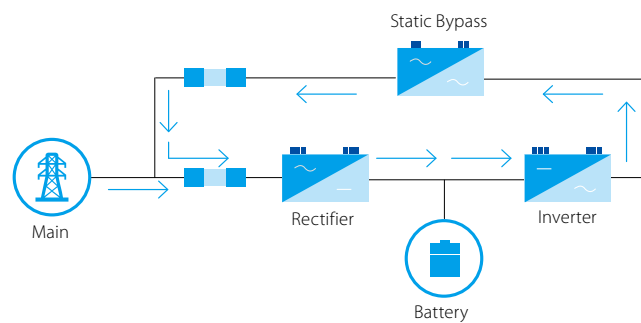
- Online double conversion
- Battery cold start function
- Advanced power module sleep mode
- Dual system control card
- Self-load function
- Frequency converter function
- Redundant design

Green Power:

- Efficiency up to 96%
- Intelligent fan speed control
- ECO mode and EPO function

Excellent Flexibility:

- Allow 100% three phase unbalance load
- Intelligent battery management
- Parallel expansion up to 4 units
- Fault Trace Management (FTM)
- Programmable dry contacts



Self-load Test

Technical Specification

MODEL	MR33125	MR33200	MR33300	MR33400	MR33500	MR33600	
Power Module	MR3325-J	MR3350-J					
INPUT							
Rated Voltage (Vac)	380/400/415						
Voltage Range (Vac)	L:L 138~485						
Input Frequency (Hz)	40~70						
Bypass Voltage Range (Vac)	-15% (-20%/-30% optional) ~+15%(+10% /+20% optional)						
Power Factor	≥0.99						
THDi	<5% (nonlinear, full load)						
Phase	3Φ4W+PE						
Battery Voltage (Vdc)	±192 (±180~ ±276 settable)		±240 (±180~ ±276 settable)				
Charging Current (A)	N×10 Maximum (N: the number of power modules)						
OUTPUT							
Capacity (kVA)	125	200	300	400	500	600	
Power Factor	1						
Phase	3Φ4W+PE						
Waveform	sine wave						
Voltage (Vac)	L-L:380,400,415±1%						
Frequency (Hz)	50/60± 0.2% (battery mode)						
Three Phase Difference	≤2 degrees						
THDv	≤1% (linear load, full load), ≤4% (nonlinear load, full load)						
Static Bypass Transfer Time	0						
Max. System Efficiency	96%						
Parallel Mode	Advanced no-master-slave parallel technology, N+1 redundancy						
Overload Capacity	105-115% load for 60mins, 116%-130% load for 10mins, 131%-150% load for 1 min, over 150% load transfer to bypass						
OTHERS							
Approvals	CE (EN62040-2, IEC62040-1)						
Operating Temperature (°C)	0~40						
Storage Temperature (°C)	-40~70						
Relative Humidity	0%~95%, no condensing						
Communication Function	RS485, RS232, dry contact (SNMP optional)						
Noise (dB)	< 65		< 70				
Power Module (kVA)	25		50				
Power Module Dimension (W×D×H) mm	500×700×130						
Power Module Weight (kg)	32		33				
Dimension (W×D×H) (mm)	600×900×1400	600×860×2000			1200×860×2000		
Weight (kg)	Cabinet	162	224	236	427		
	Bypass Module	20	23	27	27	31	31
	Power Module	32	33				
	Overall	347	379	461	718	788	873

◆ Specification is subject to change without prior notice.

KEHUA France SAS

www.kehua-france.com

3 place du général de Gaulle - 13001 Marseille

Tel. +33 (0)4 65 38 62 48

