

1500V Central PV Inverter

SPI1250K-B-H/SPI1500K-B-H



Product Feature

High Efficiency

- Advanced three-level topology, maximum conversion efficiency up to 99.00%
- 1.1 times long-term overload at 50°C , full load operation at 55°C

Safe and Reliable

- Intelligent fan speed control and fault detection for system reliability
- PID repair function to ensure power generation

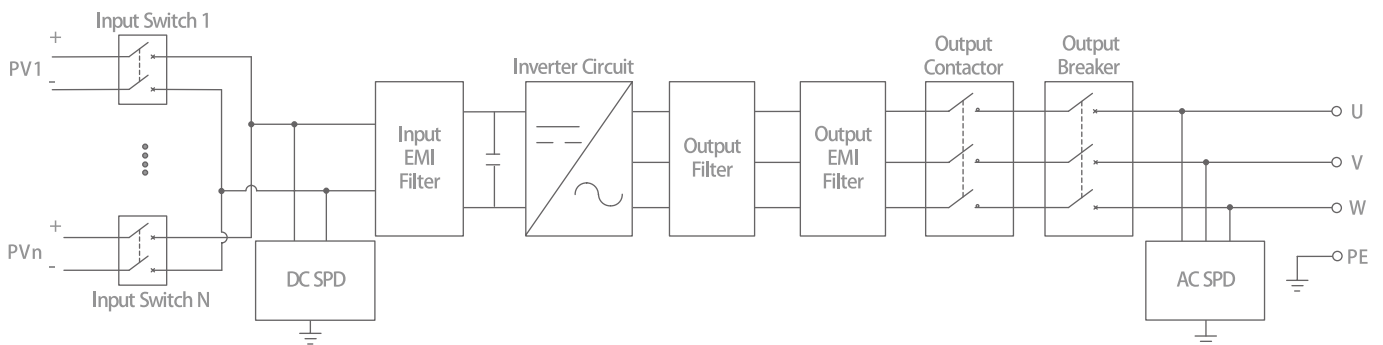
Lean Intelligence

- Intelligent fault recording function, quick failure analysis
- Intelligent online upgrade function, easy system upgrade and maintenance management

Cost Saving

- 1500Vdc/550Vac/600Vac design, reducing system cost
- High power density, reducing system land cost

Function Diagram



Technical Specifications

Index	Item	SPI1250K-B-H	SPI1500K-B-H
DC Input			
	Max. Input Voltage	1500Vdc	
	Max. Input Current	1754A	1960A
	PV Input Strings Number	12~15 optional	
	No. of MPPTs	1	
	MPPT Voltage Range	800V~1300V	900V~1300V
	Start Up Voltage	840Vdc	940Vdc
	MPPT Efficiency	99.90%	
AC Output			
	Nominal AC Output Power	1250kW	1500kW
	Max. Output Power	1250kW at 55°C/1375kW at 50°C	1500kW at 55°C/1797kW at 50°C
	Max. Output Current	1443A	1729A
	Nominal AC Voltage	550Vac	600Vac
	Rated Grid Frequency	50Hz/60Hz	
	Grid Frequency Range	45~50Hz/55~60Hz	
	Power Factor (nominal power)	>0.99 (full power)	
	PF Adjustable Range	0.8 leading ~0.8 lagging	
	THDi	<3% (full power)	
Efficiency			
	Max. Efficiency	99.00%	
	European Efficiency	98.70%	
Others			
	LVRT Function	Yes	
	AC Side Parallel Technology	Yes	
	Fault Wave Record Diagnosis	Yes	
	Online Upgrade	Yes	
	SVG Function	Optional	
	PID Function	Yes	
General data			
	Dimensions (W×H×D)	1400×2050×800mm	
	Weight	1350kg	
	IP Grade	IP20	
	Self-consumption at Night	<20W	
	Cooling	Temperature controlled forced air cooling	
	Altitude	6000m (>3000m derating)	
	Operating Temperature Range	-35°C~60°C	
	Operating Humidity	0~95%, non-condensation	
	Display	LCD	
	Communication	RS485, Ethernet (optional)	

*Specifications are subject to change without prior notice.